



Sema Connect

# Sema Connect 620 Electric Vehicle Charging Station *Installation Guide*



## Contents

Page 1	Safety and Compliance
Page 2	Electrical Requirements
Page 4	Single-Pedestal & Dual-Pedestal Installation
Page 10	Wall/Pole Mount Installation

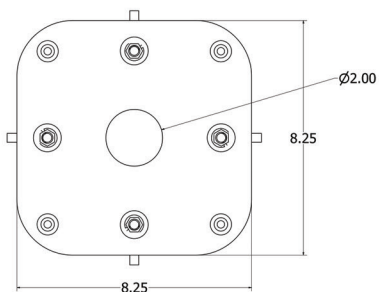
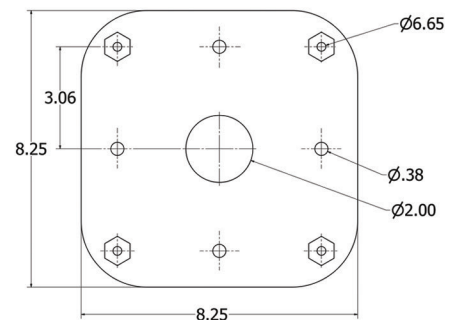
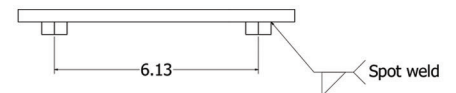
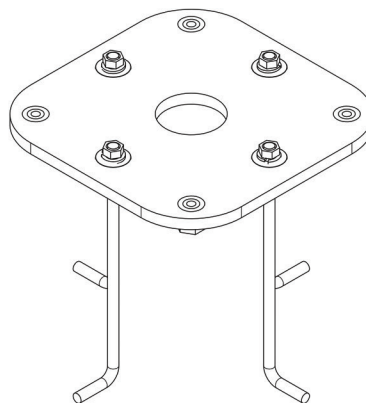
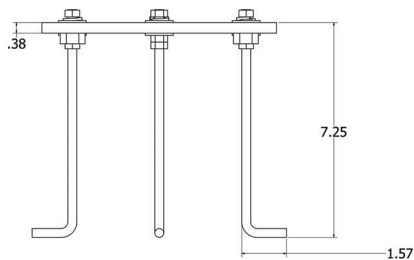
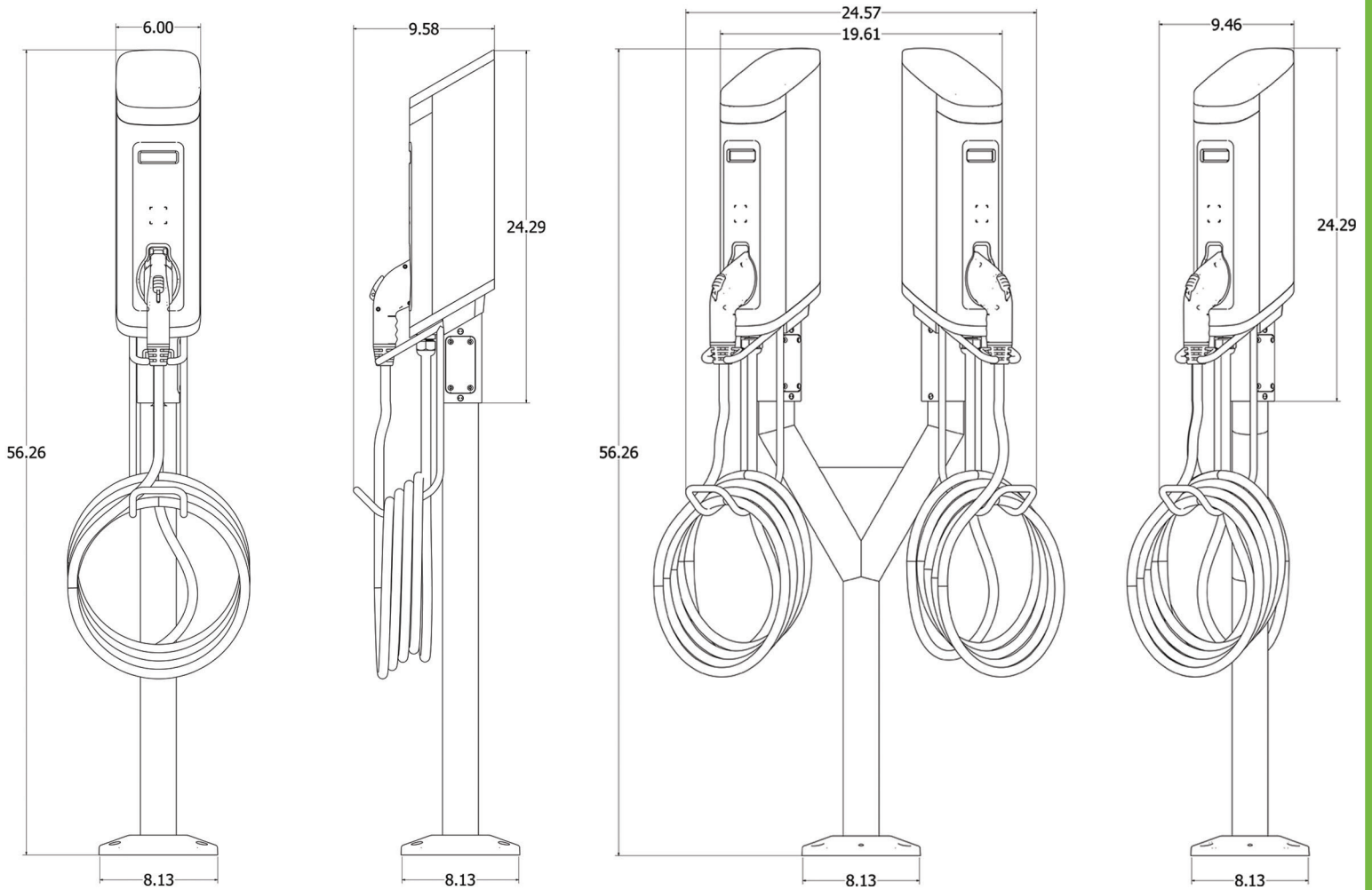
Sema Connect, Inc.  
4961 Tesla Drive, Bowie, MD 20715  
semaconnect.com 1-800-663-5633

Revision #: 082017



# SemaConnect 620 Single- & Dual-Pedestal Mount Installation

## Mount and Parts List













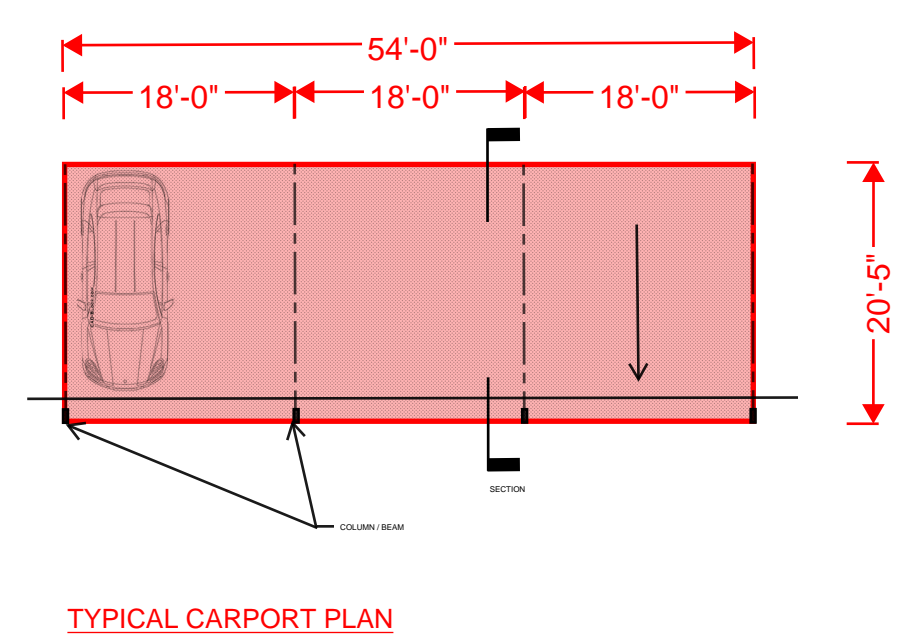
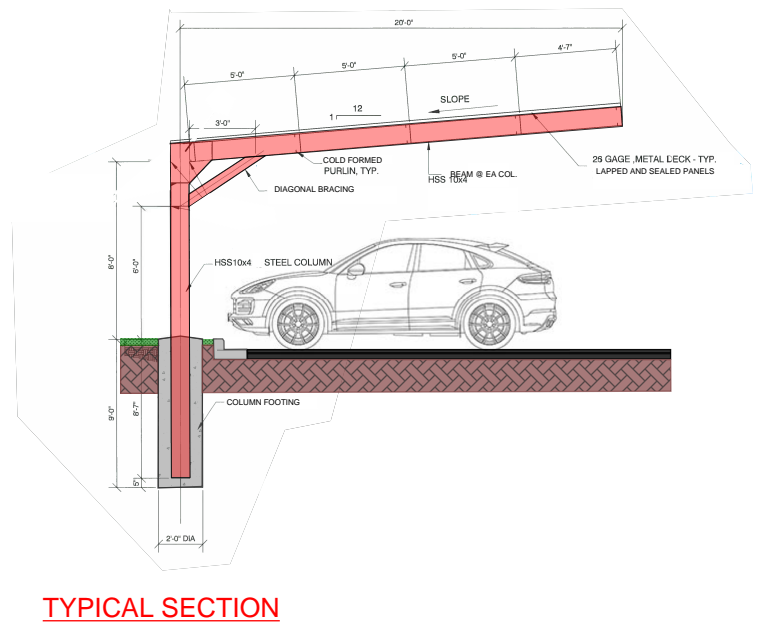
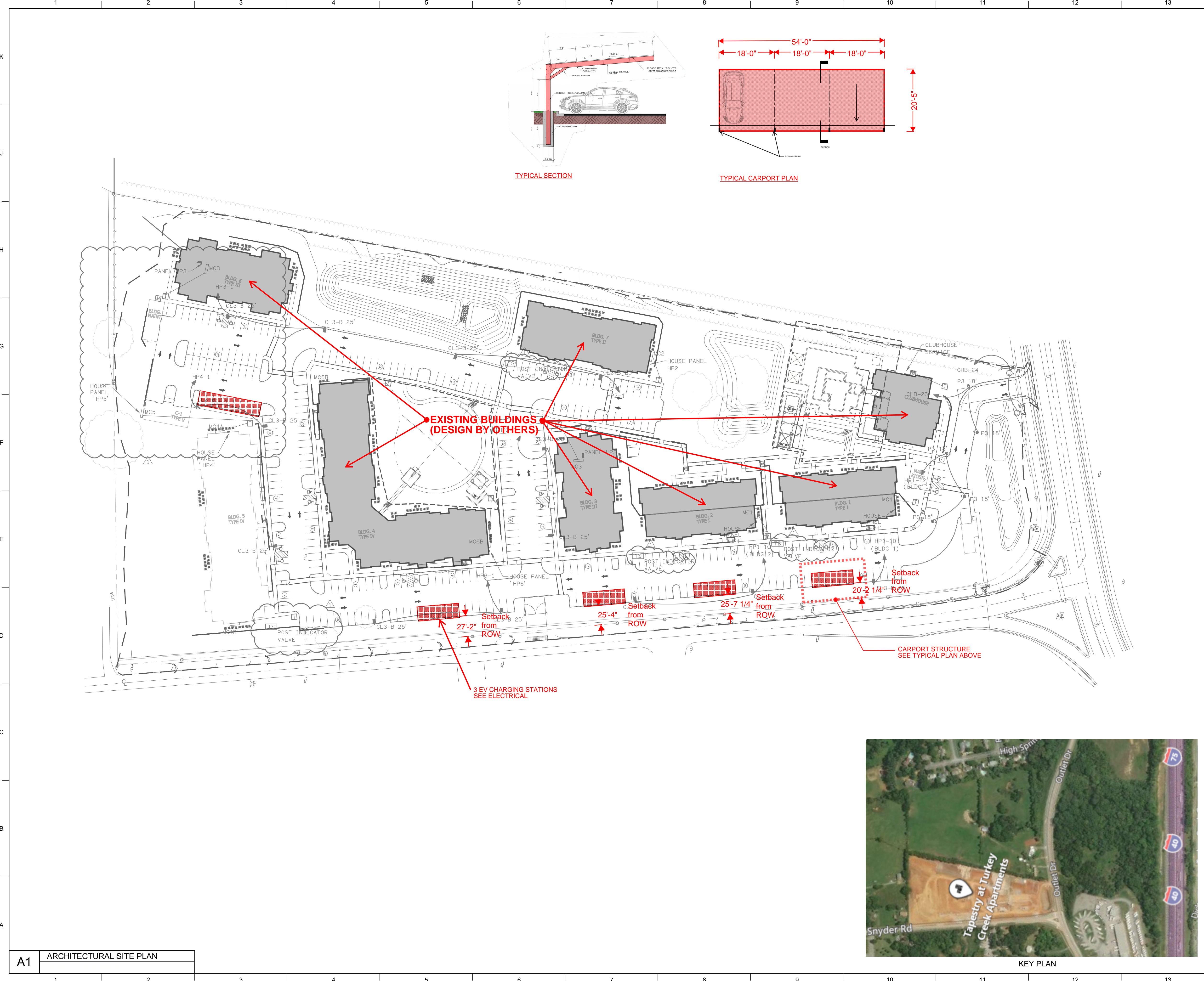








C:\LAS\_CADD\Central\_10631-00\_v18\_Alex.hemming@katera.com.rvt  
8/30/2018 3:07:02 PM



**EXISTING BUILDINGS  
(DESIGN BY OTHERS)**

3 EV CHARGING STATIONS  
SEE ELECTRICAL

CARPORT STRUCTURE  
SEE TYPICAL PLAN ABOVE

**GENERAL NOTES**

- A. ALL STRUCTURAL ENGINEERING TO BE COMPLETED AND SEALED BY AN ENGINEER LICENSED IN THE STATE OF TENNESSEE.
- B. ALL CARPORTS TO HAVE INTEGRATED LIGHTING SWITCHED WITH OTHER SITE LIGHTING.
- C. COORDINATE EV CHARGING STATIONS WITH PROVIDER, ELECTRICAL ENGINEER AND OWNER.
- D. ALL ELECTRICAL ENGINEERING TO BE COMPLETED BY OTHERS AND SEALED BY AN ENGINEER LICENSED IN THE STATE OF TENNESSEE.

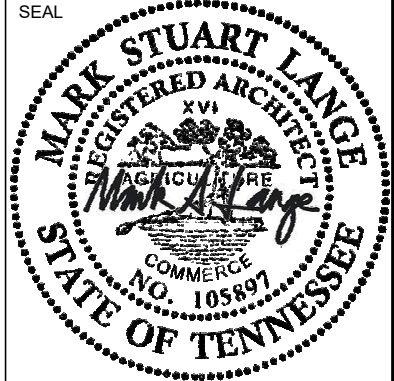
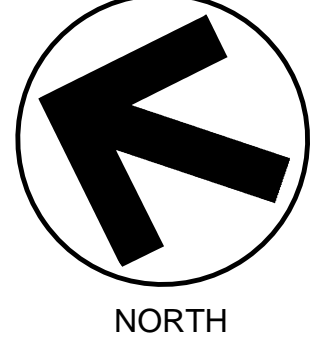
**LORD  
AECK  
SARGENT**  
© 2018 Lord Aeck Sargent  
LordAeckSargent.com  
Unless otherwise agreed to in writing, this document is the sole property of Lord Aeck Sargent and is to be returned upon demand. The information herein is confidential and may not be used nor divulged without the written permission of Lord Aeck Sargent.



SHEET TITLE  
**SITE PLAN - CARPORTS**  
SCALE (IN/FT)  
1" = 60'  
1" = 120' FT

JOB NAME  
**Tapestry Turkey Creek**  
LOCATION  
Knox County, TN

7-E-20-UR  
Revised: 6/23/2020



ISSUE DATE  
4/27/2020  
JOB NO.  
11268-00  
DWG. NO.  
**A100**

**FOR REVIEW ONLY - NOT FOR CONSTRUCTION 4/27/20**